

Technical data sheet

All right reserved Landa illuminotecnica S.p.A.
will reserve to change the specific note without
any written notice.

LANDA[®]
illuminotecnica

Polos

Article 4023K240F24
Product type: bollard
Body material: Die-casting aluminium EN47100 LCU and extruded aluminium EN AW6060, prior the painting process, washed with stones. Painting made by polyester powder with high resistant against oxidation. Country collection finishing (K) aluminium tube plus a "wood that isn't wood" treatment.
Transparent polycarbonate UV protection
Reflector in steel painted
Screws in A2 stainless steel

IK07
IP65
850°C

2G11 24W 240V Fluorescent
Bulb not included



Colours available:

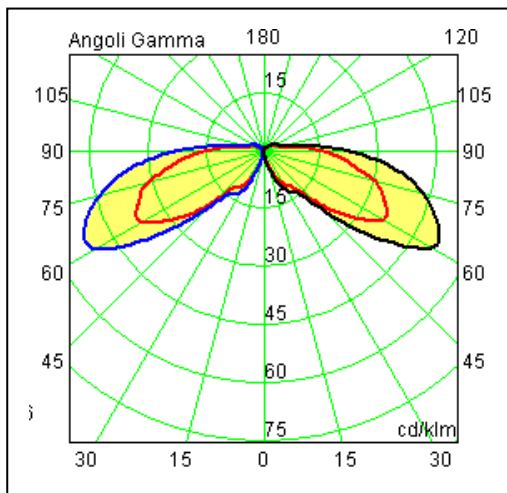
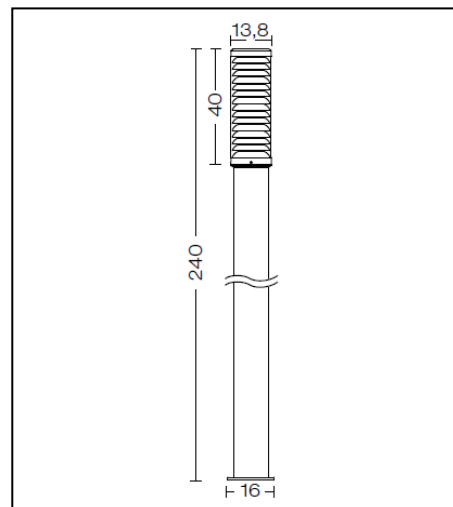
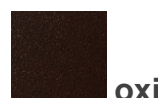
Graphite



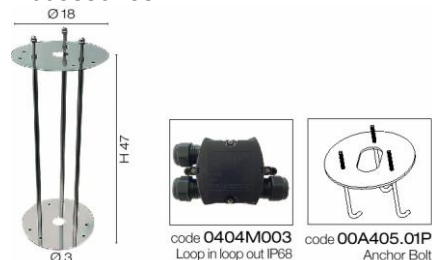
Metalgrey



Oxide



Accessories:



C.: 00A405